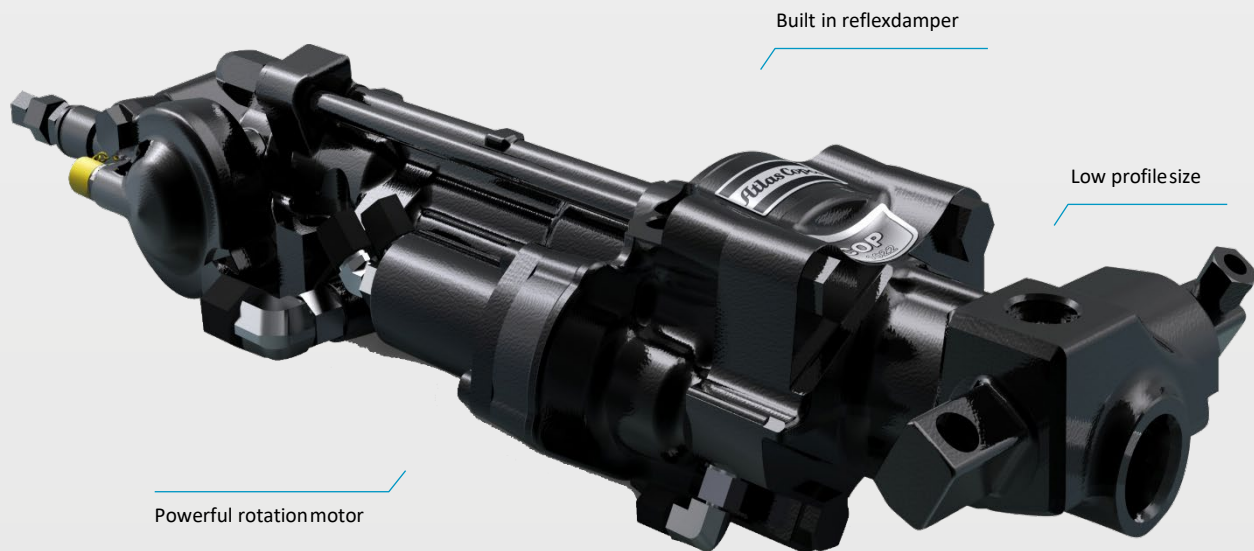


SUPERIOR POWER

DEVELOPED FOR HIGH SPEED PENETRATION AND EXCELLENT DRILL STEEL LIFE



DRIFTER COP1022HF

Designed for safe and reliable operation

+ MAIN BENEFITS

Decreases risk for water intrusion into the rock drill

Reliability with optimized rock contact, while simultaneously protecting the rock drill from harmful energy recoils

Superior rock drill for penetration rates and drilling speed



The COP was designed for ease of service; it was developed to have a minimal number of light weight parts.



Service tools are available to facilitate precise and correct machine maintenance ensuring equipment safety and performance.



Major and minor preventative maintenance kits are available for maintenance ease, and to ensure optimized rock drill service life.

HOLE RANGE

Rock Drill	Shank Type	Torque shank, mac	Weight approx
Cop 1022HF	HEX 22 x 18	162 Nm (119 lb/ft)	50 kg (110 lb)
Cop 1028	R28, SR28, R32, SR32	205 Nm (151 lb/ft)	51 kg (112 lb)

HYDRAULIC ROCK DRILL

Rock Drill	Impact power	Hydr. Pressure, max.	Impact rate
Cop 1022HF	5 kW (6.7 hp)	1900 bar (2755 psi)	73 Hz
Cop 1028	5.5 kW (7.4 hp)	185 bar (2683 psi)	50 Hz

COMPRESSOR

C55 C106 GD, screw compressor	Metric / Imperial
Working pressure, max	8,5 bar / 123 psi
FAD, at normal working pressure	23 l/s / 49 cfm